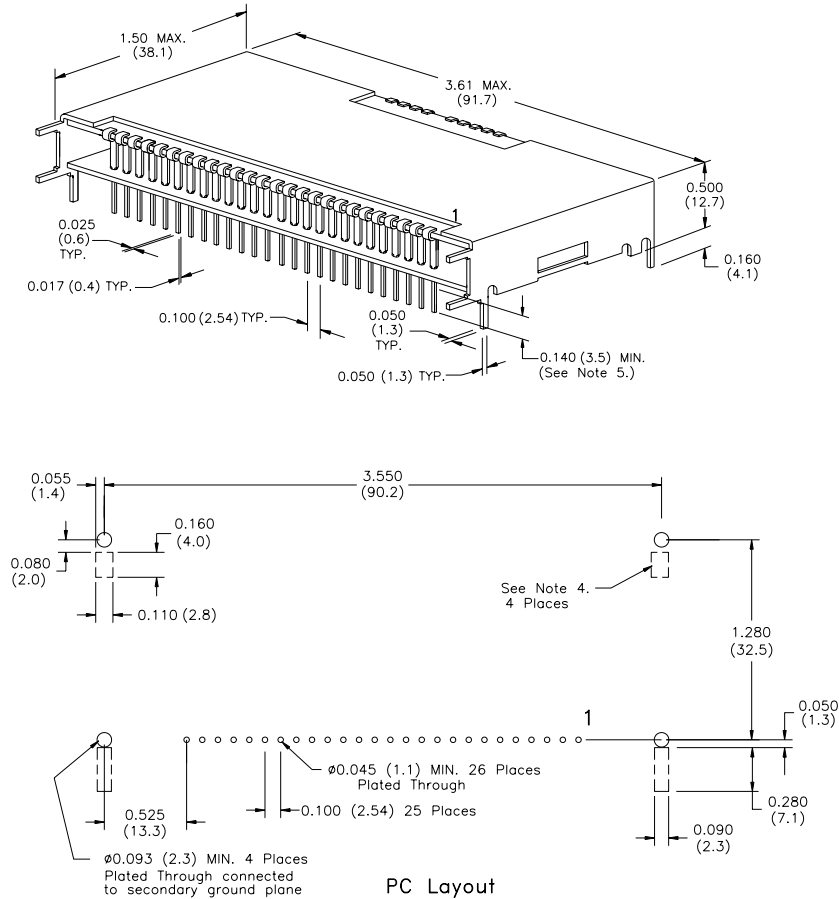


PACKAGE INFORMATION AND DIMENSIONS

Horizontal Through-Hole Mount (Suffix A)



Notes: (Rev. F)

- 1: All dimensions are in inches (mm).
- 2: 2 place decimals are ± 0.030 (± 0.8 mm).
- 3: 3 place decimals are ± 0.010 (± 0.3 mm).
- 4: Recommended mechanical keep out area (dotted lines).
- 5: Electrical pin length mounted on printed circuit board seating plane to pin end.

**Power Trends proprietary package design.
All rights reserved. Patent pending.**