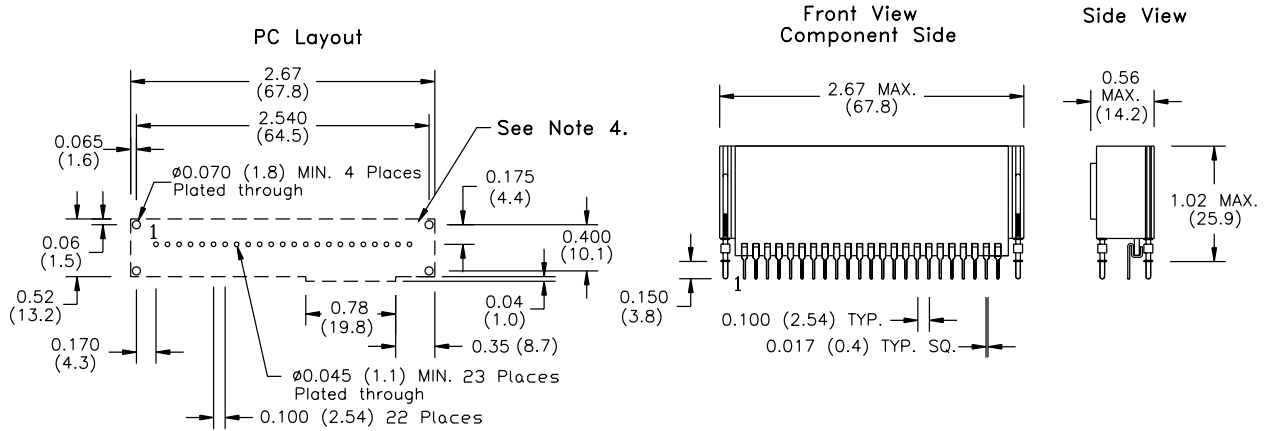


PACKAGE INFORMATION AND DIMENSIONS

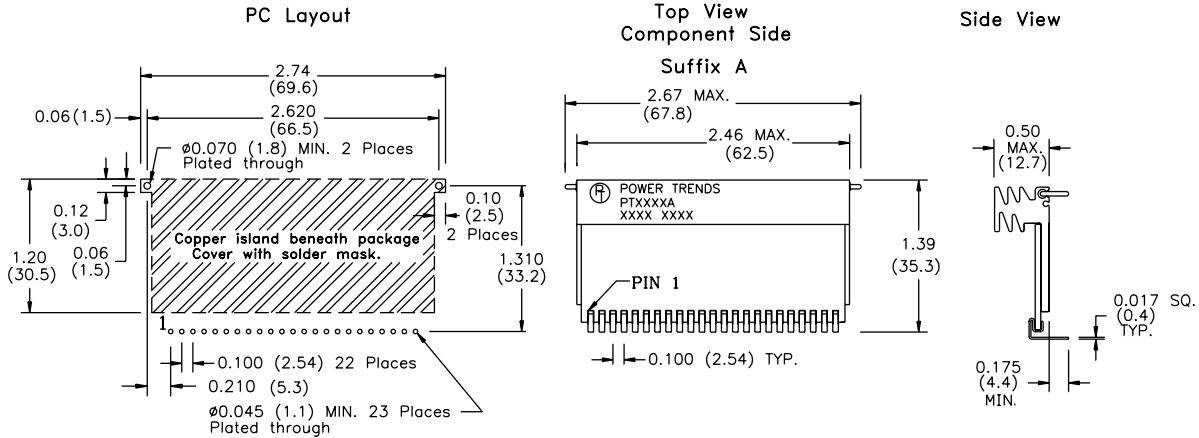
Vertical Through-Hole Mount (Suffix N)



- Notes: (Rev. B)
- 1: Dimensions are in inches (mm).
 - 2: 2 place decimals are ± 0.030 ($\pm 0.8\text{mm}$).
 - 3: 3 place decimals are ± 0.010 ($\pm 0.3\text{mm}$).
 - 4: Recommended mechanical keep out area.

PACKAGE INFORMATION AND DIMENSIONS

Horizontal Through-Hole Mount (Suffix A)



Surface Mount (Suffix C)

