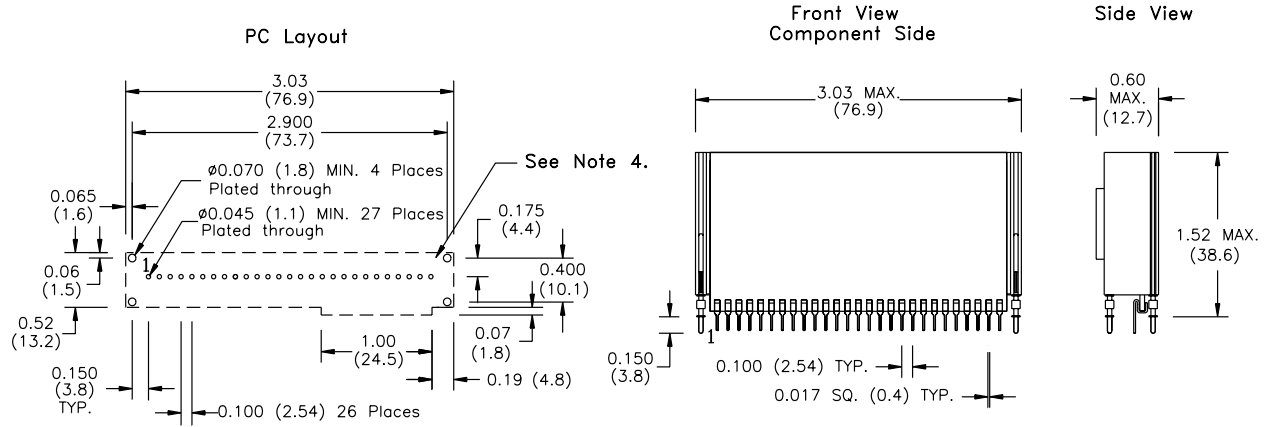


PACKAGE INFORMATION AND DIMENSIONS

Vertical Through-Hole Mount (Suffix N)

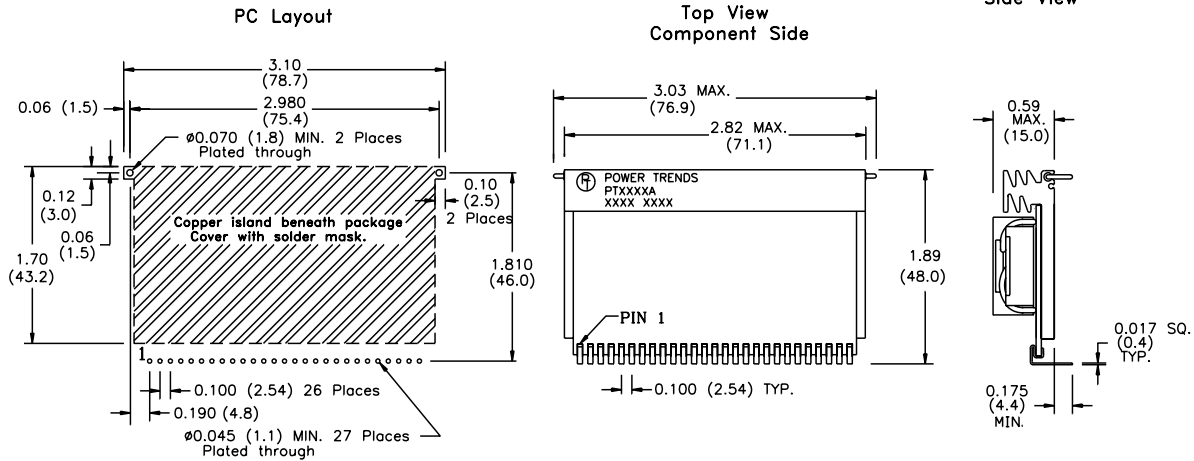


Notes: (Rev. C)

- 1: Dimensions are in inches (mm).
- 2: 2 place decimals are ± 0.030 ($\pm 0.8\text{mm}$).
- 3: 3 place decimals are ± 0.010 ($\pm 0.3\text{mm}$).
- 4: Recommended mechanical keep out area.

PACKAGE INFORMATION AND DIMENSIONS

Horizontal Through-Hole Mount (Suffix A)



Surface Mount (Suffix C)

